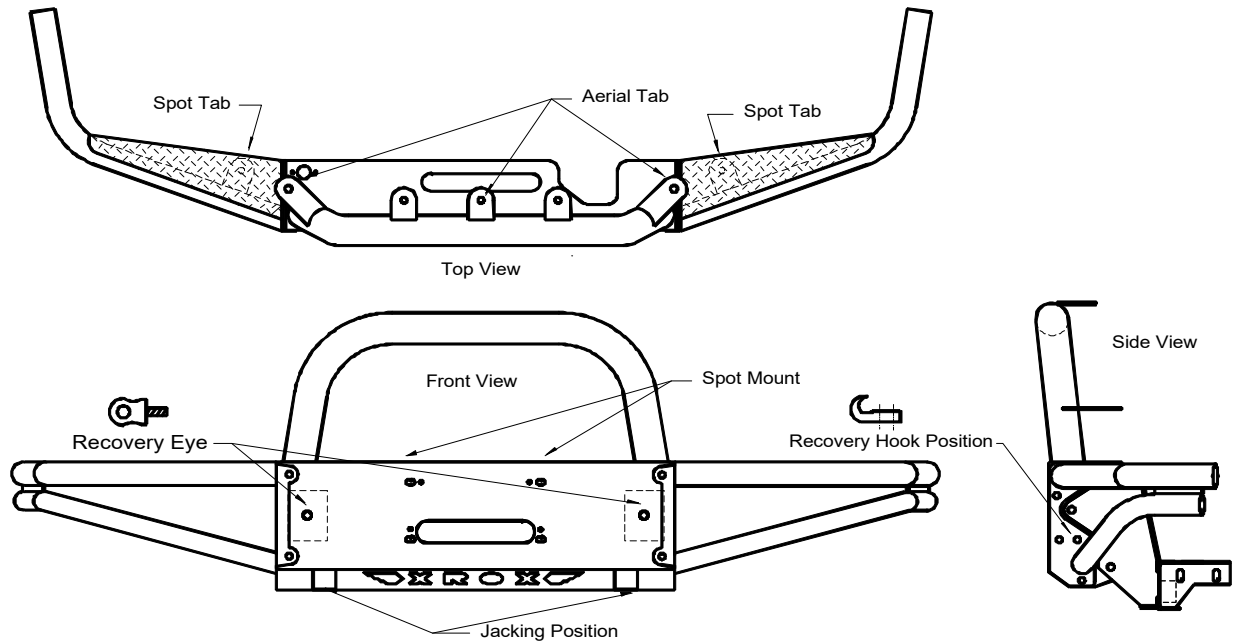


Outback Accessories Australia

Part No. XRHLS - XROX Steel Tube Bar

Hilux - Leaf Spring 1989-1997



This bar has detachable side wings that can be replaced if damaged; plus 6 spot tab, 3 aerial tabs, 2 jacking positions, 2 recovery eye and 2 hook locations. (Recovery eyes & hooks are not provided in this kit). The bar has been developed to accept up to a 15,000Lb. Warn low mount winch.

50mm Lift mounts are available Mount ID. XL 5

Fitting Instructions

1. Remove bumper from vehicle.
2. Fit the blanking plugs to the tube wing ends and assemble the side tube wings to the bar centre. 4) M10 bolts, flat washers, s/washers, nuts, 2) M12 button head allen bolts **per side** are used to bolt the front of the side wing to the centre.
3. Fit the Hilux mount to the chassis. 2) M12x55x1.25 bolts, thick flat washers, s/washers, 6) M10x25 bolt, flat washer, f/washer, s/washer, 4) M10x30x1.25 bolts, flat washer, s/washer. (Note: The two 10x25 bolts that secure the top of the mount either side can be difficult to fit, a crow bar may be needed between the top of the mount and body to lift the body a little to make space for the bolt to fit).
4. Fit the assembled tube bar to the mounts and align the bar to the vehicle. 4) M12 bolts, flat washers, s/washers and nuts **per side**. Tighten all bolts.

5. If Replacement Indicator Fitting is Required:

Hilux 89 - 97 models:

Remove front park lamps. Cut a cross shape using the dimensions given, into the back of the park lamp. Use the indicator mounting spot which is utilised on other models. A Dremel tool or die grinder should be used. Once cut and de-burred, mount the indicator bulb into the globe holder, push globe holder into park lamp and twist into place. Wire indicator globe holder to original indicator wiring. Re- fit park lamps.

Globe Holder Cutting Dimensions:

6. Fit the number plate with the existing screws.

Note: Advise the customer to periodically check tension of all mounting bolts - especially in extreme conditions.

Kit Contents

Qty.	Description	Qty.	Description
1	Hilux XROX Bar Centre (C01)	32	12mm Flat Washers
1	Hilux XROX Bar Side Wing R/H (W09)	16	12mm Nuts
1	Hilux XROX Bar Side Wing L/H (W10)	14	10x25mm Bolts
1	Hilux Bar Mount (XRHLS-1) (XL)	18	10mm Spring Washers
2	Plastic Tube insert 42mm (ID 36mm)	4	10x30x1.25 Fine Bolts
2	Plastic Tube Insert 48mm (ID 42mm)	32	10mm Flat Washers
2	12v 5w 10mm Amber globe GLO47510	14	10mm Nuts
2	Wedge base globe holder GHO-CS3851	2	8x50mm Bolts
2	12x55x1.25 Fine Bolts	2	8mm Flat Washers
12	12x30mm Bolts	2	8mm Mudguard washers
4	12x40mm button head allan bolts	2	8mm Spring Washers
16	12mm Spring Washer		
2	12mm x3mm thick Flat Washers	1	Fitting instructions

Kit Packed by:	Checked By:	Date:
----------------	-------------	-------