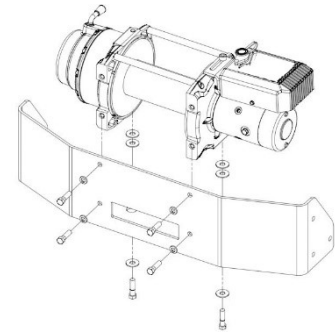




## PRO12500 FREESPOOL ROTATION

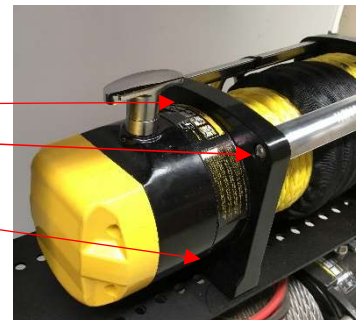
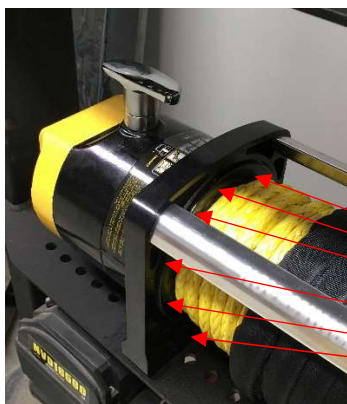
If you are fitting the above winch model into an enclosed winch bull bar or a winch bar designed for the winch to be mounted in a “feet forward format” you will likely be required to rotate the freespool housing in order to get access to the freespool T bar from the outside of the bar once the winch is mounted.

Note : Feet forward format is where the base / bottom mount of the winch mount into a vertical surface in front of the winch rather than being mounted / bolted to a horizontal surface



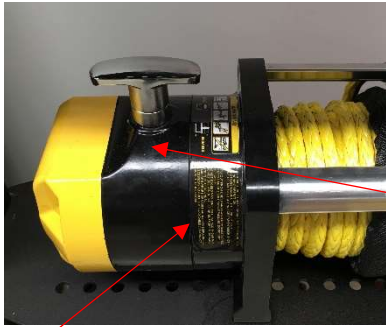
## HOW TO ROTATE THE FREESPOOL HOUSING

Using an allen key remove the 3 x tie rod allen bolts and separate the gearbox from the drum to allow access to allen bolts on the inside of the gearbox mount



Undo the bolts on the inside face of the main gearbox mount plate - note some silicone may need to be removed to access heads of the allen bolts - note the drum will not be in place photo is to show bolt position

Once the allen bolts have been removed leave the first gearbox housing in position hard against the gearbox mount plate



Split the second gearbox housing apart from the first housing, you only require a small gap in order to rotate the second housing

This arrow shows the join between the two gearbox housings

Rotate the second gearbox housing and gearbox as desired around the increments of available bolt holes to suit the best positioning for your install